

ADAX Clea H/L WIFI (WT)

Table of contents

1. Installation manual

Pages 2-3

2. WIFI (WT) thermostat user guide

Page 4 – NO

Page 5 – SE

Page 6 – FI

Page 7 – EN

Page 8 – DE

Page 9 – PT

Page 10 – LT

Page 11 – LV

Page 12 – ET

Page 13 – BG

Page 14 – EL

Page 15 – CS

Page 16 – HU

Page 17 – HR

Page 18 – PL

Page 19 – SK

Page 20 – RO

Page 21 – RU

Page 22 – ES

Page 23 – HE

Page 24 – SL

Page 25 – IT

Page 26 – SR

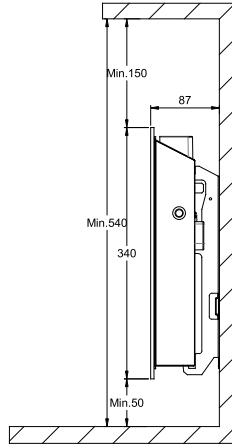
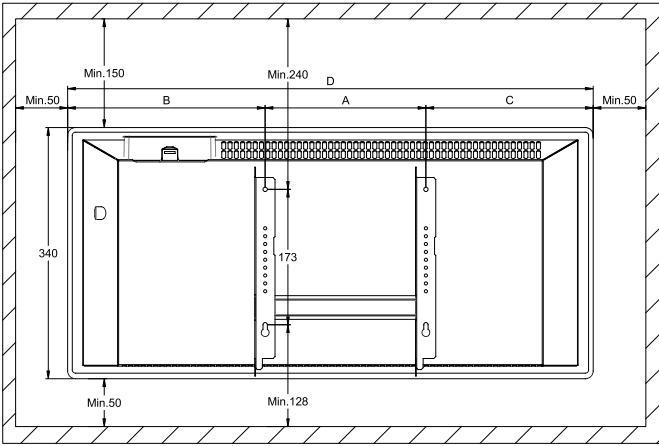
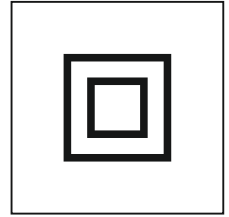
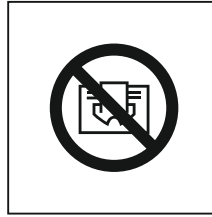
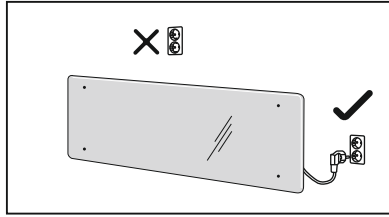
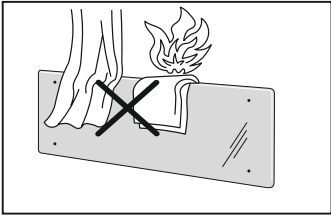
3. Eco design information

Pages 27-32

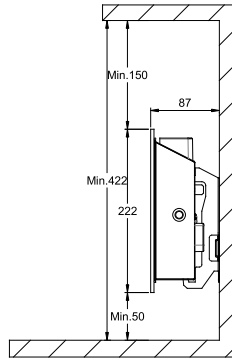
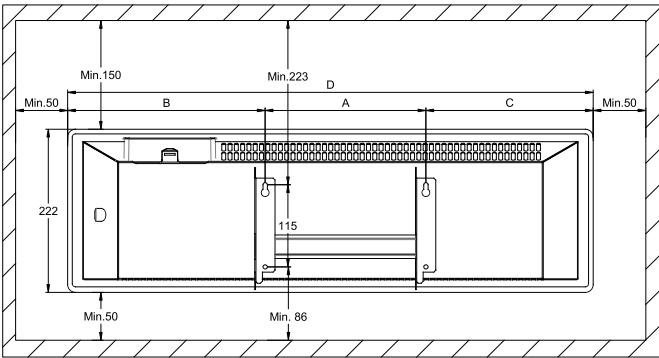
4. Declaration of conformity

Page 33

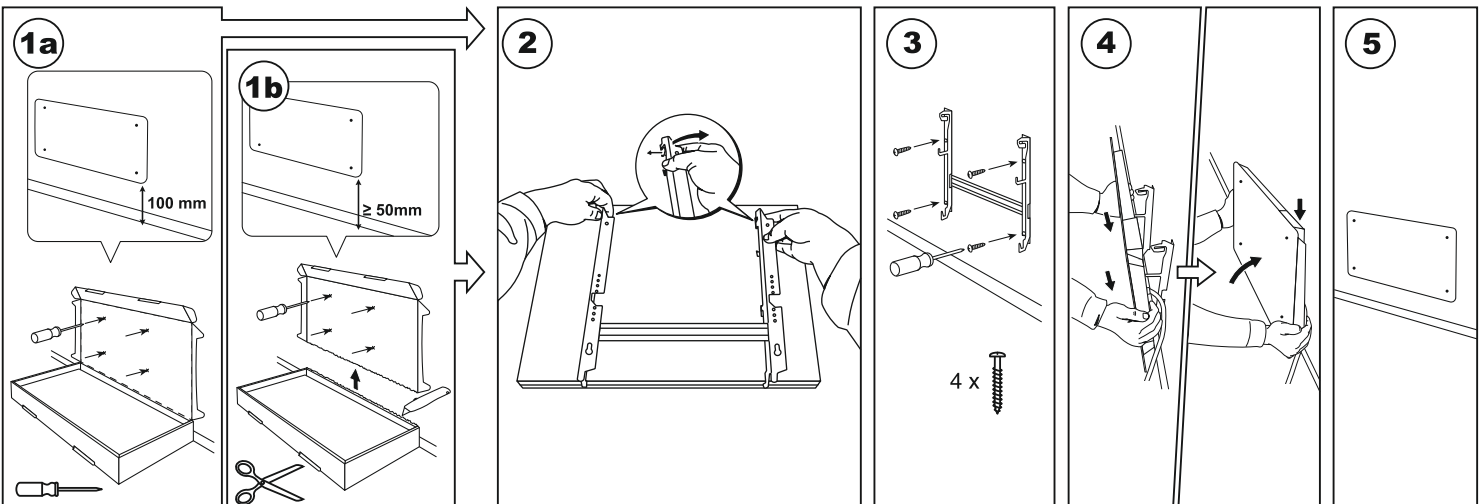
ADAX CLEA H / CLEA L Model WT / DT / KWT / KDT IP24C Class II

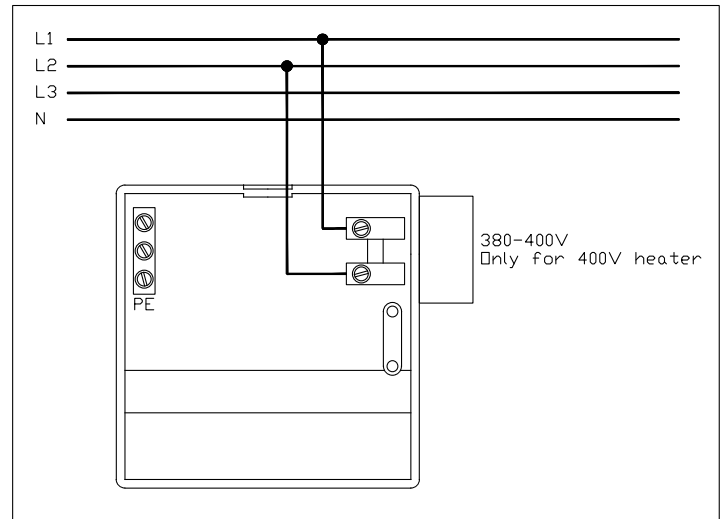
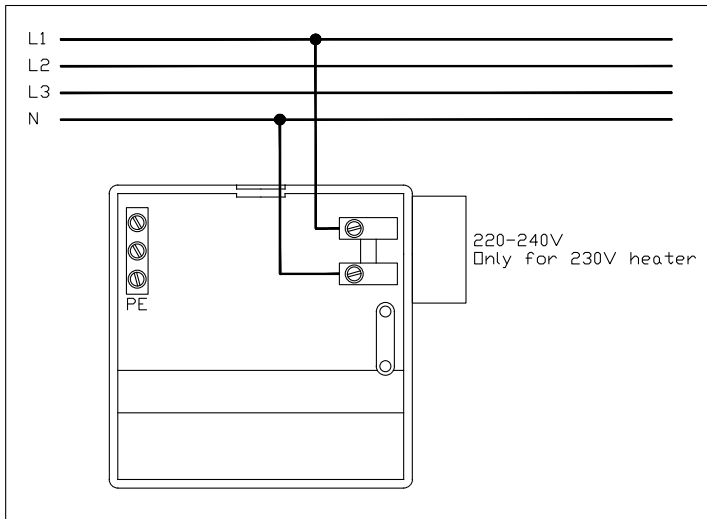
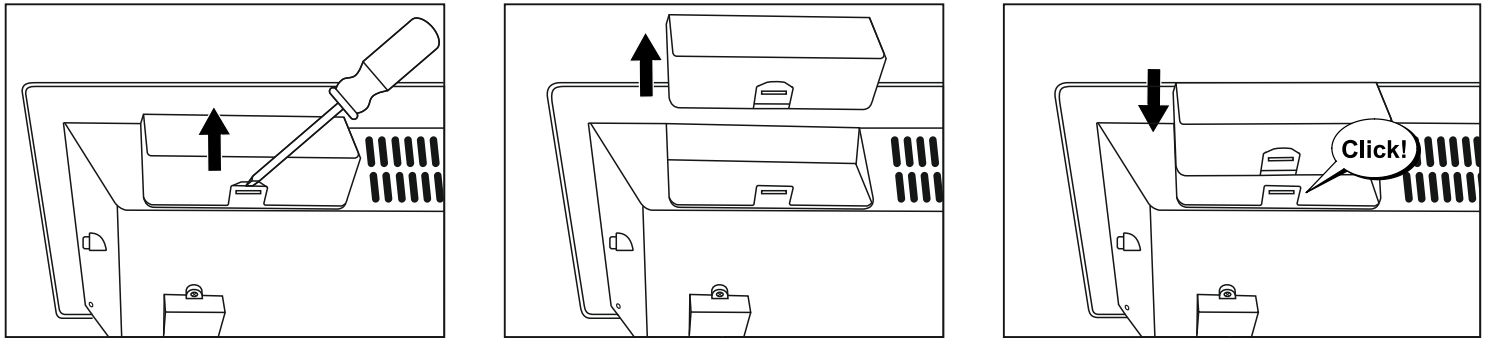
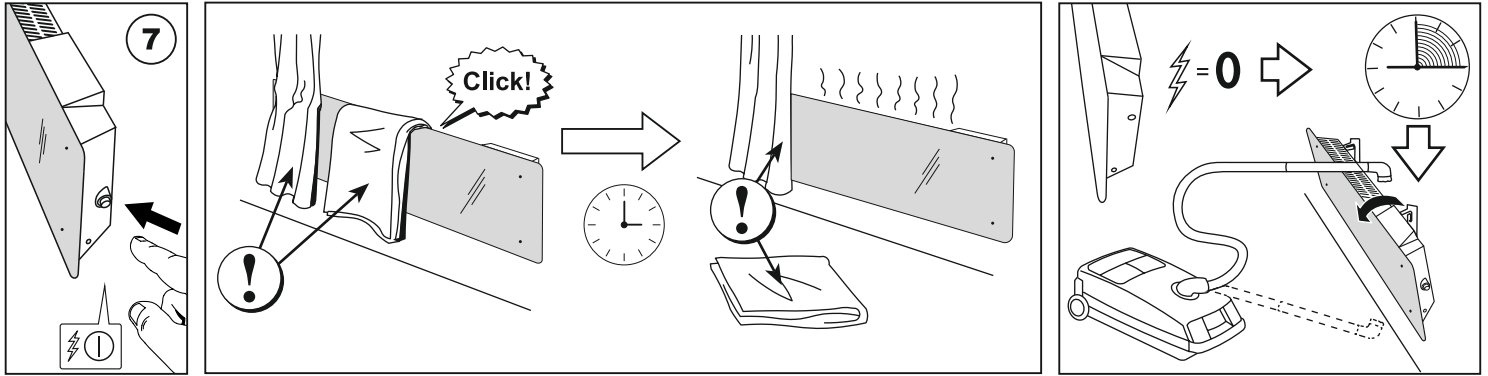
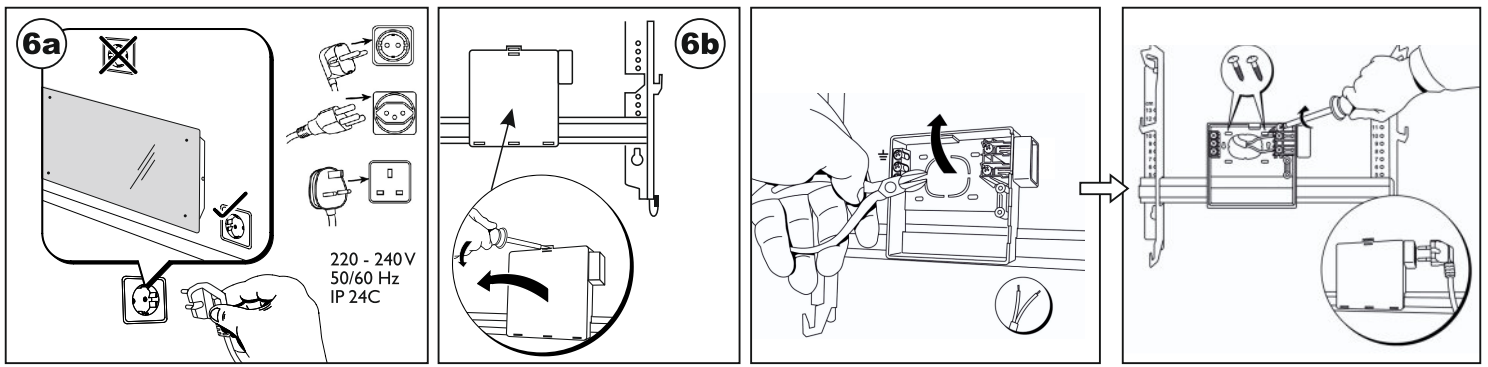


CLEA H	Watt	B	A	C	D
CLEA H 04	400	266	201	138	606
CLEA H 06	600	265	201	210	676
CLEA H 08	800	255	302	233	790
CLEA H 10	1000	285	302	263	850
CLEA H 12	1200	374	302	344	1024



CLEA L	Watt	B	A	C	D
CLEA L 06	600	333	302	332	997
CLEA L 08	800	270	604	270	1144
CLEA L 10	1000	388	604	359	1368





EN If the supply cord is damaged, it must be replaced by the manufacturer, its service agent or similarly qualified persons in order to avoid hazard.

NO Hvis strømkabelen er skadet må den skiftes ut av produsenten, dennes servicerepresentant eller lignende kvalifisert person for å unngå fare.

SE Om elkabeln är skadad måste den repareras av tillverkaren, dess serviceverkstad eller liknande kvalificerade personer för att undvika fara.

FI Jos virtajohto on vaurioitunut, valmistajan, sen huoltoedustajan tai vastaavasti pätevän henkilön on vaihdettava se vaaran välttämiseksi.

Thermostat layout

1 Display:

-Set temperature value. It is represented in integers and Celsius degrees.

2 Temperature indication light. Possible indications:

- Is lighting when heater is on set temperature;
- Is not lighting when heater's temperature is not reached;
- Blinking – when heater is connecting to the cloud.

3 WiFi indication light. Possible indications:

- Permanently lighting, when electronic heater device is connected to home net (router) and cloud;
- Not lighting – when heater isn't connected to home network;
- Blinking – when heater is connected to home network but isn't connected to cloud.

4 Functions selection and confirmation button „OK“. Used:

1. When heater is in direct mode:

By briefly clicking the button system is switching from direct mode to editing mode;

2. When heater is in editing mode:

-By briefly clicking the button a weekly heating program is selected.

5 Button „+“, possible values:

1. When heater is in direct mode and user is clicking it temperature values are increasing by one degree. Possible temperature interval is 5-35°C. Max value is „35°C“.

2. When heater is in editing mode and user is clicking this button then program list is displayed and user is navigating through it by going forward.

6 Button „-“, possible values:

1. When heater is in direct mode and user is clicking it temperature values are decreasing by one degree. Possible temperature interval is 5-35°C. Min value is „5°C“.

2. When heater is in editing mode and user is clicking this button then program list is displayed and user is navigating through it by going backwards.

Display values

„20“ Integer temperature value. Interval 5-35°C.

„HO“ „Home“ weekly program. By selecting it heating temperature will be:

1. If heater is not connected to home network it will keep 20°C. Until user using „+“ and „-“ won't change it;

2. If heater is connected to home network it will keep temperature by using „Home“ program.

„OF“ „Office“ weekly program. By selecting this mode, heating will be:

1. If heater is not connected to home network it won't be shown for user;

2. If heater is connected to home network, heater will keep „Office“, program temperature.

„-“ The heater is in „stand-by“ mode.

„AF“ Antifrost weekly heating program. By selecting it, heater will keep

„Antifrost temperature (by default 7°C).

„SC“ „Smart config“ indicating value, showing that user started adding heater, to „Smart heater“ app (look „Heater's“, „Smart“ configuration settings).

„E“ Factory reset indication value (look Factory data reset).

Introduction

This document aim is to introduce user with electric heater system and it's functionality. Also possible usage ways and facilities.

This application is inappropriate to use for adults and kids if they have the following conditions: physical or mental disabilities, lacking knowledge or information about the product. Except those cases when they are being supervised or they had introduction with tutorial how to use this application. Kids are not allowed to play with this device or left alone with it.

Turning heater on

Electric heater device can be turned on in two ways:

1. Briefly clicking on/off button on the electronic heater device side;
2. Briefly clicking button „OK“ on the electronic heating device screen.

Note: when heater is turned on for the first time on the screen 20°C temperature will be shown. Heater is starting to work instantly.

Turning heater off

Heater can be turned off in three ways:

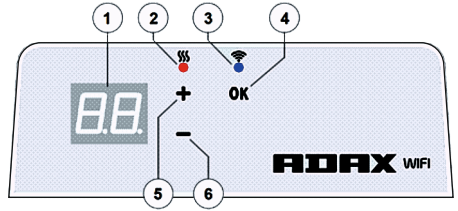
1. Clicking and holding button „-“ (in direct mode) until temperature on screen will change into the text „-“ (temperature will start decreasing descending);
2. In editing mode choosing value „-“ in the menu list;
3. Clicking heater's on/off button on the side;

Turning heater on after turning it off manually heater is working by the heating parameters set in last time.

Work modes

Electric heating device has two work modes:

1. Direct – direct control mode when on screen set heating temperature is visible;
2. Editing – editing mode. In this mode user can choose configured weekly



program from submitted list. If user is in edit mode on heater screen program's values are displayed (look Menu connected/disconnected to WiFi).

Edit mode on

When heater is in direct mode (selected value is visible on the screen) click button „OK“ short.

When editing mode is active on screen will be displayed that program from the list which is set at the moment.

Direct mode

Heater is always working on direct mode. When heater is set to editing mode and left for 30 s in standby it will automatically switch to direct mode and on screen last set temperature's value will be displayed.

Wifi control

When user is starting to use a mobile heating application he can add active heating device to the application by clicking both buttons at the time „+“ and „-“ until on the screen will be displayed „SC“ („SmartConfig“) and both indication lights turn off. At that moment user can release buttons. „SC“ will be displayed on the screen until configuration is done. When it's done (that means application found a heater) on the screen red and green indication lights will turn on and blink. If „SmartConfig“ can't find device an error message will be shown. After 30 s standby heater is switching to the previous heating settings (doesn't matter if „SmartConfig“ was successful or not).

Note: user can try to register few heaters at once using „Smart heater“. To know which heater is registering at the moment indicating red light on heater is showing (read more at „Smart heater“ user guide).

Editing mode can't connect to WiFi

When new heater is not connected to the internet then it might not allow to use weekly heating program because it can't locate present time. In this case editing mode function list will look like this:

„HO“ – will be set 20°C temperature;

„AF“ – set heater to „Antifrost“ mode (by default 7°C);

„-“ – „stand-by“ mode.

Note: to choose a program user has to click button „OK“. If user is not selecting a program after 30 s heater is switching to the direct mode and temperature is set to the last one selected.

Editing mode connected to WiFi

Electric heating device connected to the home network and set to the editing mode will display weekly heating programs which were configured using „Smart heater“ application.

If user have never used or haven't created any weekly heating programs then these programs will be displayed:

„HO“ – weekly heating program „Home“;

„OF“ – weekly heating program „Office“;

„-“ – „stand-by“ mode;

„AF“ – will keep „Antifrost“ (by default 7°C).

Note: to choose a program user has to click button „OK“. If user is not selecting a program after 30 s heater is switching to the direct mode and temperature is set to the last one selected.

Temporary cancel all heating parameters

Temporary stop heater which is in direct mode use „+“ or „-“ to set needed temperature.

Note: set temperature is working until new weekly program heating mode will start.

Factory data reset

To reset factory data on the electric heater (look. Heater screen) click buttons at once: „+“, „-“ and „OK“, until on the screen text starts blinking. Then release all buttons and 20°C temperature will be displayed. After factory reset electric heater is keeping „Comfort“ mode temperature (by default 20°C).

Note: after factory reset heater must be registered at „Smart heater“ application. User will have to add „Smart heater“ application and do „Smart Config“.